

Increase earnings by giving your animals microbiologically clean drinking water

Kirkmayers ECA-solutions: Simple, reliable and cost-effective





Sicursan® the safe, environmentally friendly and cost-optimized solution

Using a saltwater electrolysis process, the Kirkmayer ECA-generators produces the liquid Sicursan®, which contains hypochlorous acid, and is highly efficient in eliminating bacteria, vira and algae, along with removing biofilm.

Biofilm consists of both living and dead organic and inorganic material collected on a surface. Biofilms contribute to increased bacterial levels, reduction of dissolved oxygen, taste and odour changes and corrosion. Biofilm consists of a slimy substance that is formed as a protective layer for the bacteria to live in. Eliminating bacteria in water installations can, for many technologies, be a challenge since the biofilm must be removed first.

Sicursan® is the most effective product on the market for removing biofilm due to the ingredient hypochlorous acid.



Stay
independent &
self-sufficient



Produced
in EU

Three reasons to choose a Kirkmayer ECA-generator for your animals

1/ Safe and future-oriented solution

- Salt – Water – Electricity, the only ingredients needed to produce Sicursan®
- No hazards occur when storing or using Salt – Water and Sicursan®
- Biocide Product Regulation Article 95 compliant and listed 528/2012.
- Approved by the Danish Veterinary and Food Administration in accordance with Executive order no. 859 af 23.08.2019.

2/ Chemical-free solution

- Safe and toxic-free use and handling
- Sicursan® can be flushed to drain in the event of a spill



Cost-effective solution

- 0,6 - 1,3 € cent per m³ treated drinking water

3/ Kirkmayer ECA-generator handles several applications at the same time.

- Minimal service and maintenance costs.



With this technology, you are at the forefront

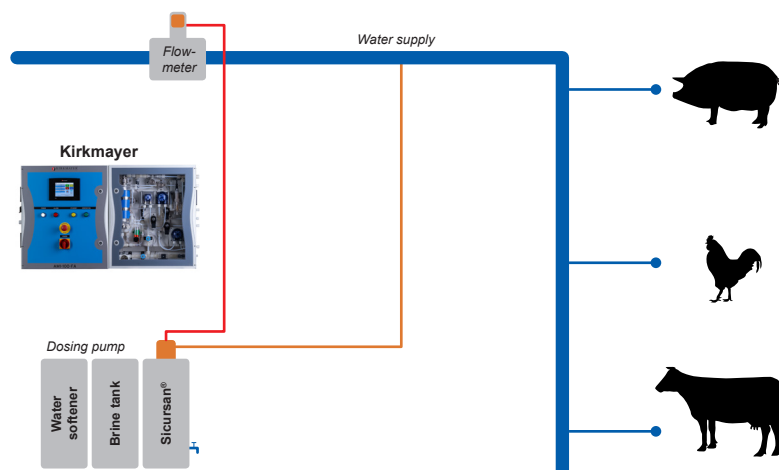
Fully automated Kirkmayer ECA-generators secure your animals microbiologically clean drinking water.

Kirkmayer ECA-generator use the ECA technology to produce the non-toxic disinfectant Sicursan[®], in which hypochlorous acid is the active substance.

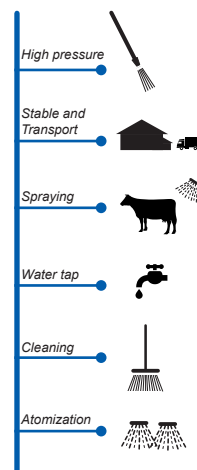
Hypochlorous acid is highly effective in eliminating bacteria such as E.coli, Listeria and Samonella.

Sicursan[®] is therefore powerful enough to eliminate bacteria in water systems, drippers, fog cannon or water troughs.

Water installation for animals with Sicursan[®] dosage



Supplementary applications





Improved water quality increases earnings significantly

- Lower infection pressure
- Feels more desire to drink
- Larger feed intake
- Lower cost of disinfection
- Improves the level of hygiene and animal welfare

Kirkmayer's Sicursan®

- Very economical in use, 0,6 - 1,3 € cent per m³ treated drinking water
- Eco-friendly, non-toxic disinfection liquid
- No rating at safety data sheet
- Procurement and storage of chemicals will no longer be necessary
- PLC-controlled system
- PLC Built-in control of one dosing pump
- Central and dosage pump included
- Salt filled in only one brinetank
- Quality product
- Internet connection with PC / APP control as well as alarm function





Kirkmayer has redefined ECA technology

KIRKMAYER is a leading global supplier of first-class generators within electrochemically activated solutions (ECA), formed by a team of researchers and technicians with more than fifteen years of experience.

We set ourselves the main goal of creating a more reliable and efficient electrolysis cell, than those are available on the market today, and we can proudly say that with our new and unique patented technology, we have achieved this goal.

In fact, we went beyond just improving the existing one, we created something and truly revolutionary: An advanced double-cooled coaxial cell (both electrodes cooled), which outperforms other suppliers in the market.



Size and capacity

Unit type	Sicursan® production in liters daily	The property water consumption daily
AMI-10-FA	240	24 m ³
AMI-30-FA	720	72 m ³
AMI-50-FA	1.200	120 m ³
AMI-100-FA	2.400	240 m ³
AMI-200-FA	4.800	480 m ³
AMI-300-FA	7.200	720 m ³
AMI-400-FA	9.600	960 m ³
AMI-500-FA	12.000	1200 m ³



You have the farm, we have the right solution for disinfection



LAMI-Series
AMI-Series



AMI-Series

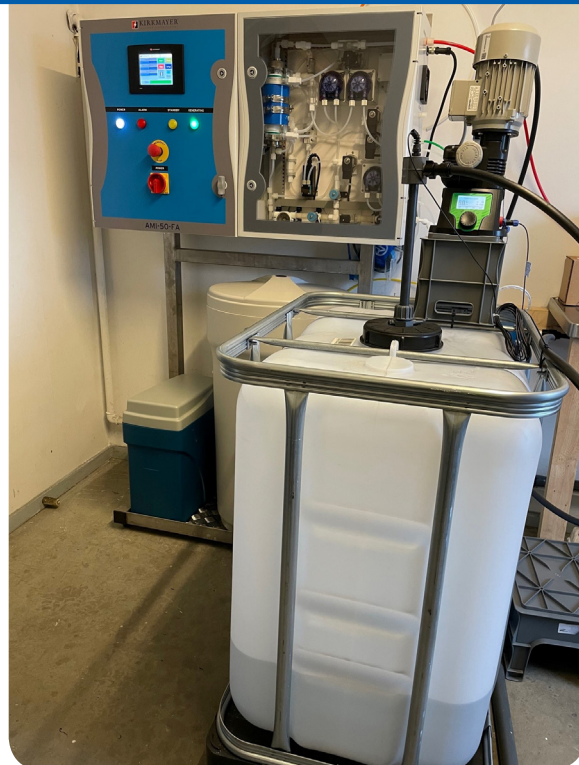


BMI-Series

Let us find the perfect solution together

With our Kirkmayer ECA-generators, we offer you a reliable and environmentally friendly product for water treatment on your farm.

Unitron will advise you for the right solution, high service and safe operation.



ECHA (European Chemical Agency - the responsible authority for BPR) Included **KirkMayer Industries OÜ** - in the list of active substances and suppliers (Article 95 list) in accordance with Article 95 Regulation (EU) No. 528/2012.
Decision number: ACC-D-1363343-55-00 / F - for PT 1, 2, 3, 4, 5
Decision number: ACC-D-1513330-61-00 / F - to PT 11



Exclusive dealer in Denmark!

